

The new cordless blind riveting tool: **SMALL, LIGHT, FAST!**



# BIRDIE



Only 900 g  
**ULTRA  
LIGHT!**  
Lightest tool in  
the 18 V class!

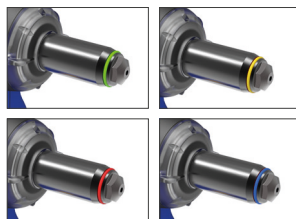
**Birdie®**

**IT'S NOT THE SIZE THAT MATTERS,  
IT'S THE TECHNIQUE YOU USE**

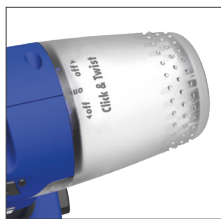


# Birdie®

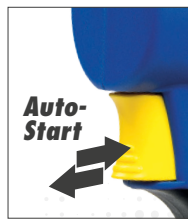
## THE NEW MEMBER OF THE CAS FAMILY – SMALL, LIGHT, FAST!



Includes 4 colour-coded nosepieces  
(blue 17/24 already mounted)



Transparent spent-mandrel container with new  
*click 'n' twist* function



Tap function ensures shorter setting cycle



- Ø 5 mm all materials
- 18V
- 900 g ohne Akku
- 10 kN
- BLDC
- 

It's small, it's fast, it's nimble! And that's not all. The new **Birdie®** from GESIPA® is the smallest and lightest battery-powered blind riveting tool in its performance class. Plus it has an ergonomic design with a balanced centre of gravity and a non-slip, handy handle. Fatigue-free working comes built in! What's more, the riveting tool covers a wide range of applications:

with a setting force of 10,000 N and a tool stroke of 25 mm, the **Birdie®** makes light work of setting blind rivets with a diameter of up to 5 mm in all materials. And, like the Bird Pro series, the **Birdie®** works with the tried-and-tested cross-manufacturer batteries from CAS.



Developed, designed and manufactured in Germany

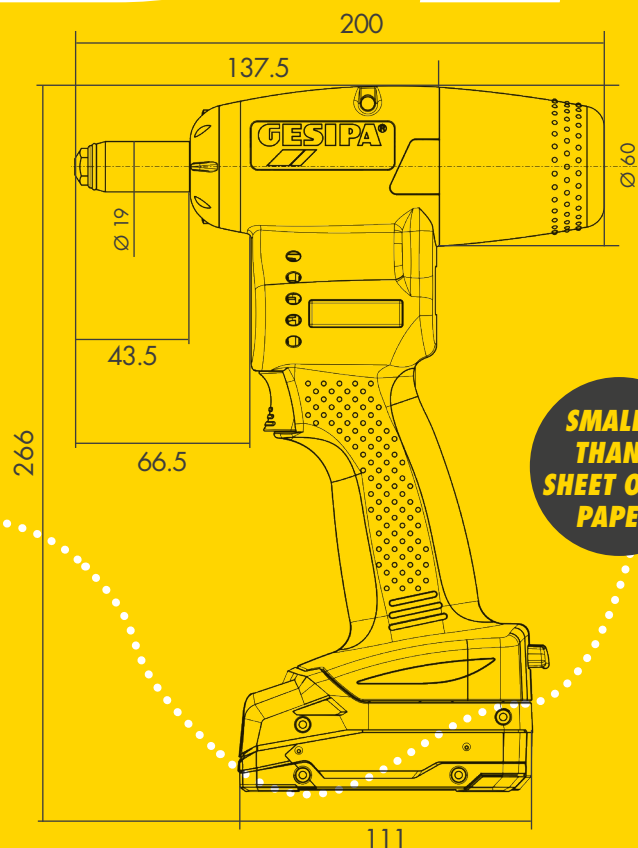


# BIRDIE

## Technical data

|                         |  |
|-------------------------|--|
| Weight without battery: | 900 g  |
| Weight with battery:    | 1.3 kg (Battery 2.0 Ah)  |
| Stroke:                 | 25 mm  |
| Setting force:          | 10,000 N   |
| Drive:                  | brushless DC motor (BLDC)  |
| Working range:          | blind rivets up to $\varnothing$ 5 mm in all materials, up to $\varnothing$ 6 mm in Al (max. mandrel $\varnothing$ 3.5 mm) |

Not only are the **Birdie®**'s size and weight impressively low but it has also been equipped with the latest and most innovative technology. So this blind riveting tool offers you flexibility when working together with some unique benefits.



## BENEFITS **Birdie®**

### » **LIGHTWEIGHT**

Weighing only 900g without the battery, the **Birdie®** is the smallest and lightest cordless riveting tool in its class. It sits particularly compactly in your hand and lets you work effortlessly.

### » **WIDE WORKING RANGE**

10 kN setting force and 25 mm tool stroke, able to handle extra-long rivets

### » **ERGONOMIC DESIGN**

Small and handy

### » **FAST, TOOL-FREE CHANGES**

Extremely fast and easy nosepiece changing

and jaw maintenance

### » **COLOURED NOSEPIECES**

Colour-coded nosepieces make it easy to match the nosepiece to the blind rivet being used

### » **FUNCTIONS WITH A SIMPLE TAP**

Shorter setting cycle saves energy

### » **VERY LATEST BATTERY TECHNOLOGY**

Cordless Alliance System – 100% compatible

### » **PRACTICALLY WEAR-FREE**, thanks to BLDC motor

### » **TRANSPARENT SPENT MANDREL CONTAINER**

Gives you a constant overview of the spent-mandrel fill quantity

### » **WORKING LIGHT FOR POSITIONING ACCURACY**

Sure setting in any lighting conditions



Part no.

- No. 174 6720** Birdie® in L-BOXX incl. 1x battery\* + 1x charger
- No. 174 6721** Birdie® in L-BOXX incl. 2x battery\* + 1x charger
- No. 174 6719** Birdie® in L-BOXX without battery\*, without charger
- No. 174 6718** Birdie® in carton without battery\*, without charger
- No. 174 6722** Birdie® in carton incl. 1x battery\* + 1x charger
- No. 174 6723** Birdie® in carton incl. 2x battery\* + 1x charger

\* 2.0 Ah battery



## Zubehör

### BATTERIES

**18V Li-Power 2.0 Ah No. 167 9689**

Weight: 0.4 kg

**18V LiHD 4.0 Ah No. 167 9690**

Weight: 0.6 kg



Long battery life due to efficient control – braking energy is recovered and charges the battery (regenerative braking)

### CHARGER FOR 18V BATTERIES

Weight: 0.6 kg  
 Input voltage: 220 - 240 V / 50 - 60 Hz  
 Output voltage: 12 - 36 V DC  
 Charging time: ca. 40 min. at 2.0 Ah  
 ca. 80 min. at 4.0 Ah



Note: Standard version with Euro plug

Euro plug  
 UK plug  
 US plug

**No. 167 9694**  
**No. 167 9695**  
**No. 167 9696**

**L-BOXX (flat)  
incl. Inlay**

**No. 176 6276**



### TRANSPARENT SPENT MANDREL CONTAINER

Standard (transparent) **No. 174 1428**  
 Extended + 40mm (black) **No. 176 6359**



### NOSEPIECES

(Integrated in sleeve)



### Scope of delivery

- |                                    |                           |
|------------------------------------|---------------------------|
| 17/27 <b>No. 175 2361</b> (green)  | 17/18 <b>No. 176 0252</b> |
| 17/29 <b>No. 175 2362</b> (yellow) | 17/20 <b>No. 176 0253</b> |
| 17/32 <b>No. 175 2363</b> (red)    | 17/22 <b>No. 176 0254</b> |
| 17/24 <b>No. 175 2360</b> (blue)   | 17/36 <b>No. 176 0255</b> |

### ACCESSORIES

### SLEEVE WITHOUT NOSEPIECE

**No. 170 7731**

Compatible with all AccuBird®/ AccuBird® Pro nosepieces and custom nosepieces (up to 17/36)

**JAWS** (set, 3 pieces)

**No. 170 7703**



## **IDEAS BACKED BY 65 YEARS OF EXPERIENCE**

– GESIPA® is the development partner for you.

Together we can find the best economic and technical solution for your application. Get in touch today!

Uw GESIPA importeur in Nederland:



VIBA verbindingstechniek BV  
Bleiswijkseweg 41  
2712 PB Zoetermeer  
T +31 (0)79 330 67 00  
E [sales@viba.nl](mailto:sales@viba.nl)  
[www.viba.nl/gesipa](http://www.viba.nl/gesipa)



GESIPA Blindniettechnik GmbH  
Nordendstraße 13-39  
64546 Mörfelden-Walldorf  
T +49 6105 962 0  
[info@gesipa.com](mailto:info@gesipa.com)  
[www.gesipa.com](http://www.gesipa.com)



Subscribe to our YouTube channel:  
[youtube.com/gesipa-videos](https://youtube.com/gesipa-videos)